

bq2023EVM-001 Battery Monitor Evaluation Module

User's Guide

IMPORTANT NOTICE

Texas Instruments Incorporated and its subsidiaries (TI) reserve the right to make corrections, modifications, enhancements, improvements, and other changes to its products and services at any time and to discontinue any product or service without notice. Customers should obtain the latest relevant information before placing orders and should verify that such information is current and complete. All products are sold subject to TI's terms and conditions of sale supplied at the time of order acknowledgment.

TI warrants performance of its hardware products to the specifications applicable at the time of sale in accordance with TI's standard warranty. Testing and other quality control techniques are used to the extent TI deems necessary to support this warranty. Except where mandated by government requirements, testing of all parameters of each product is not necessarily performed.

TI assumes no liability for applications assistance or customer product design. Customers are responsible for their products and applications using TI components. To minimize the risks associated with customer products and applications, customers should provide adequate design and operating safeguards.

TI does not warrant or represent that any license, either express or implied, is granted under any TI patent right, copyright, mask work right, or other TI intellectual property right relating to any combination, machine, or process in which TI products or services are used. Information published by TI regarding third-party products or services does not constitute a license from TI to use such products or services or a warranty or endorsement thereof. Use of such information may require a license from a third party under the patents or other intellectual property of the third party, or a license from TI under the patents or other intellectual property of TI.

Reproduction of information in TI data books or data sheets is permissible only if reproduction is without alteration and is accompanied by all associated warranties, conditions, limitations, and notices. Reproduction of this information with alteration is an unfair and deceptive business practice. TI is not responsible or liable for such altered documentation.

Resale of TI products or services with statements different from or beyond the parameters stated by TI for that product or service voids all express and any implied warranties for the associated TI product or service and is an unfair and deceptive business practice. TI is not responsible or liable for any such statements.

Mailing Address:

Texas Instruments
Post Office Box 655303
Dallas, Texas 75265

EVM IMPORTANT NOTICE

Texas Instruments (TI) provides the enclosed product(s) under the following conditions:

This evaluation kit being sold by TI is intended for use for **ENGINEERING DEVELOPMENT OR EVALUATION PURPOSES ONLY** and is not considered by TI to be fit for commercial use. As such, the goods being provided may not be complete in terms of required design-, marketing-, and/or manufacturing-related protective considerations, including product safety measures typically found in the end product incorporating the goods. As a prototype, this product does not fall within the scope of the European Union directive on electromagnetic compatibility and therefore may not meet the technical requirements of the directive.

Should this evaluation kit not meet the specifications indicated in the EVM User's Guide, the kit may be returned within 30 days from the date of delivery for a full refund. **THE FOREGOING WARRANTY IS THE EXCLUSIVE WARRANTY MADE BY SELLER TO BUYER AND IS IN LIEU OF ALL OTHER WARRANTIES, EXPRESSED, IMPLIED, OR STATUTORY, INCLUDING ANY WARRANTY OF MERCHANTABILITY OR FITNESS FOR ANY PARTICULAR PURPOSE.**

The user assumes all responsibility and liability for proper and safe handling of the goods. Further, the user indemnifies TI from all claims arising from the handling or use of the goods. Please be aware that the products received may not be regulatory compliant or agency certified (FCC, UL, CE, etc.). Due to the open construction of the product, it is the user's responsibility to take any and all appropriate precautions with regard to electrostatic discharge.

EXCEPT TO THE EXTENT OF THE INDEMNITY SET FORTH ABOVE, NEITHER PARTY SHALL BE LIABLE TO THE OTHER FOR ANY INDIRECT, SPECIAL, INCIDENTAL, OR CONSEQUENTIAL DAMAGES.

TI currently deals with a variety of customers for products, and therefore our arrangement with the user **is not exclusive**.

TI assumes **no liability for applications assistance, customer product design, software performance, or infringement of patents or services described herein**.

Please read the EVM User's Guide and, specifically, the EVM Warnings and Restrictions notice in the EVM User's Guide prior to handling the product. This notice contains important safety information about temperatures and voltages. For further safety concerns, please contact the TI application engineer.

Persons handling the product must have electronics training and observe good laboratory practice standards.

No license is granted under any patent right or other intellectual property right of TI covering or relating to any machine, process, or combination in which such TI products or services might be or are used.

Mailing Address:

Texas Instruments
Post Office Box 655303
Dallas, Texas 75265

EVM WARNINGS AND RESTRICTIONS

It is important to operate this EVM within the input voltage range of 2.8–5.5 V and the output voltage range of 2.8 V and 5.5 V.

Exceeding the specified input range may cause unexpected operation and/or irreversible damage to the EVM. If there are questions concerning the input range, please contact a TI field representative prior to connecting the input power.

Applying loads outside of the specified output range may result in unintended operation and/or possible permanent damage to the EVM. Please consult the EVM User's Guide prior to connecting any load to the EVM output. If there is uncertainty as to the load specification, please contact a TI field representative.

During normal operation, some circuit components may have case temperatures greater than 70°C. The EVM is designed to operate properly with certain components above 70°C as long as the input and output ranges are maintained. These components include but are not limited to linear regulators, switching transistors, pass transistors, and current sense resistors. These types of devices can be identified using the EVM schematic located in the EVM User's Guide. When placing measurement probes near these devices during operation, please be aware that these devices may be very warm to the touch.

Mailing Address:

Texas Instruments
Post Office Box 655303
Dallas, Texas 75265

WARNING

This equipment is intended for use in a laboratory test environment only. It generates, uses, and can radiate radio frequency energy and has not been tested for compliance with the limits of computing devices pursuant to subpart J of part 15 of FCC rules, which are designed to provide reasonable protection against radio frequency interference. Operation of this equipment in other environments may cause interference with radio communications, in which case the user at his own expense will be required to take whatever measures may be required to correct this interference.



Contents

1	Introduction	1-1
1.1	Features	1-2
1.2	Kit Contents	1-2
1.3	Ordering Information	1-2
2	Circuit Module	2-1
2.1	Pin Descriptions	2-2
2.2	Schematic	2-2
2.3	Board Layout	2-3
2.4	Bill of Materials	2-5
2.5	Performance Specifications	2-5
3	EVM Hardware and Software Setup	3-1
3.1	Software Installation	3-2
3.2	Hardware Connection	3-2
3.2.1	Connecting the Circuit Module to a Battery Pack	3-2
3.2.2	PC Interface Connection	3-3
4	Operation	4-1
4.1	Starting the Program	4-2
4.2	Initialization	4-3
4.2.1	Setting the Programmable bq2023 Wake-Up Threshold Option	4-3
4.2.2	Register Clearing	4-3
4.3	Reading and Writing Flash Memory	4-3
4.3.1	The FED Register	4-4
4.4	RAM Addressing	4-5
4.5	Data Logging	4-6

Figures

2-1	Schematic	2-2
2-2	Board Layout	2-3
3-1	Connection to Cells and System Load/Charger	3-2
4-1	Initial Data Screen	4-2
4-2	Communications (Comm) Port Selection Warning Screen	4-2
4-3	Flash Register Screen	4-4
4-4	RAM Register Screen	4-5

Tables

1-1	Ordering Information	1-2
2-1	Bill of Materials	2-5
2-2	Performance Specifications Summary	2-5
3-1	Connection to EV2201	3-3

Introduction

The bq2023EVM-001 is a complete evaluation system for the bq2023 flash-based battery-monitoring IC circuit module, a current sense resistor, an EV2201 PC interface board for gas-gauge evaluation, a PC serial cable, and Windows™-based PC software. The circuit module includes one bq2023 and all other components onboard necessary to monitor capacity and other critical parameters in a one-cell Li-Ion battery pack or a battery pack of any chemistry with a voltage of 2.8–5.5 V. The circuit module connects directly across the cell(s) in the battery. With the EV2201 interface board and software, the user can read the bq2023 data registers and evaluate the functions of the bq2023 under different charge and discharge conditions.

Topic	Page
1.1 Features	1-2
1.2 Kit Contents	1-2
1.3 Ordering Information	1-2

Windows is a trademark of Microsoft Corporation. All other trademarks are the property of their respective owners.

1.1 Features

- Complete evaluation system for the bq2023 battery monitor
- Populated circuit module for quick setup
- PC software and interface board for easy evaluation
- Software that allows data logging for system analysis

1.2 Kit Contents

- bq2023 circuit module with sense resistor
- EV2201 PC interface board
- Set of evaluation software disks entitled EV2201–23
- PC serial cable
- Set of support documentation

1.3 Ordering Information

Table 1–1. Ordering Information

EVM Part Number	Additional ICs	Chemistry	Pack Voltage	Capacity
bq2023EVM–001	None	All	2.8–5.5 V	Any
bq2023EVM–002	UCC3952	Li-Ion	2.8–4.2 V	Any

Circuit Module

The bq2023EVM-001-based circuit module is a complete and compact example solution of a circuit for battery monitoring of a single-cell Li-Ion pack. The circuit module incorporates a bq2023 battery-monitor IC and all other components necessary to accurately monitor the charge and discharge of one Li-Ion cell or a battery pack of any chemistry with a voltage of 2.8–5.5 V.

Terminal blocks on the circuit module provide direct connection to the cell(s) (BAT+, BAT–), and the serial communications port (SDQ). The system load and charger connect across PACK+ and PACK–.

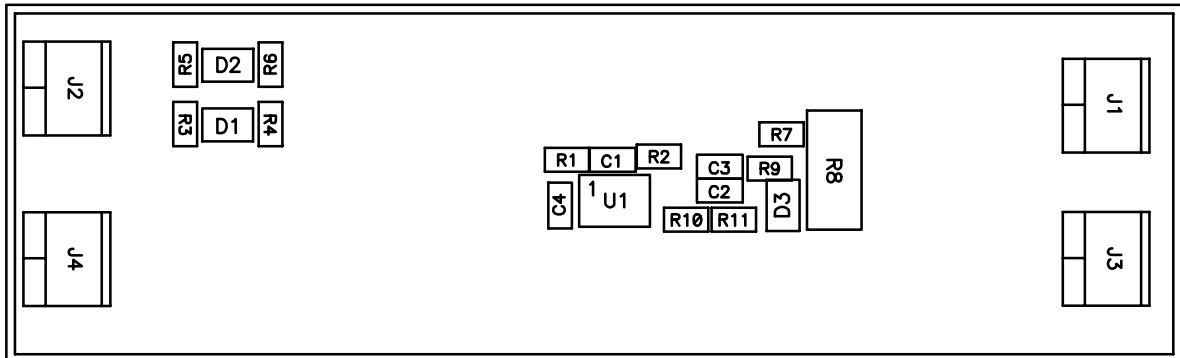
Topic	Page
2.1 Pin Descriptions	2-2
2.2 Schematic	2-2
2.3 Board Layout	2-3
2.4 Bill of Materials	2-5
2.5 Performance Specifications	2-5

2.3 Board Layout

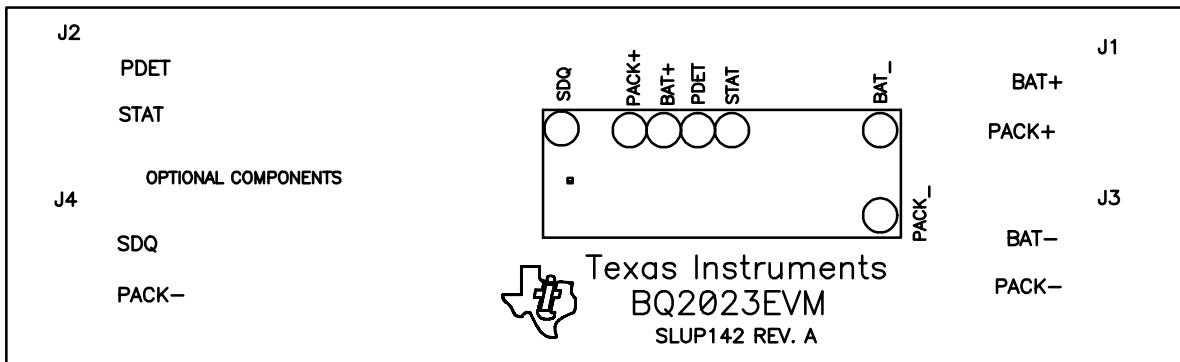
Figure 2–2 shows the PCB layers and assembly drawing for the bq2023EVM–001 circuit module (SLUP142–001).

Figure 2–2. Board Layout

Top Layer



Silk 1



Layer 1

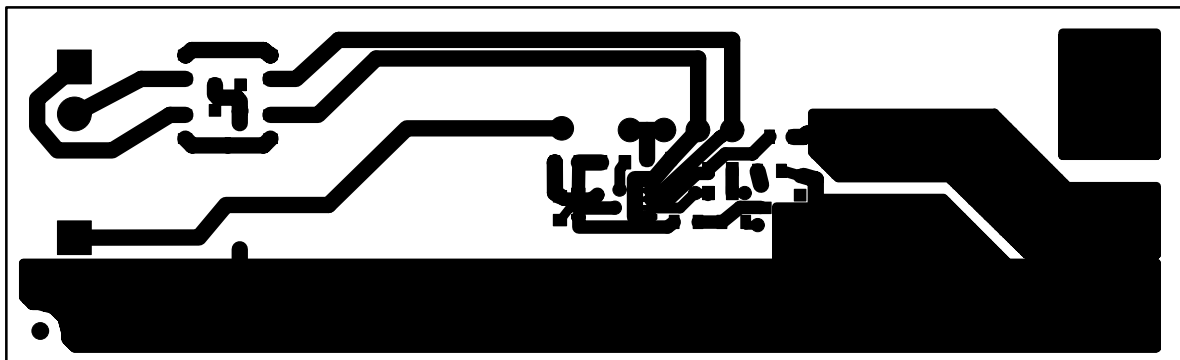
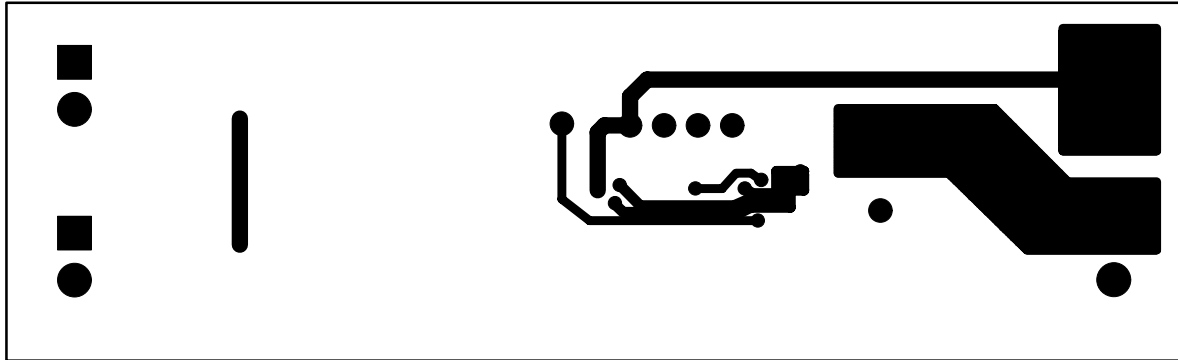
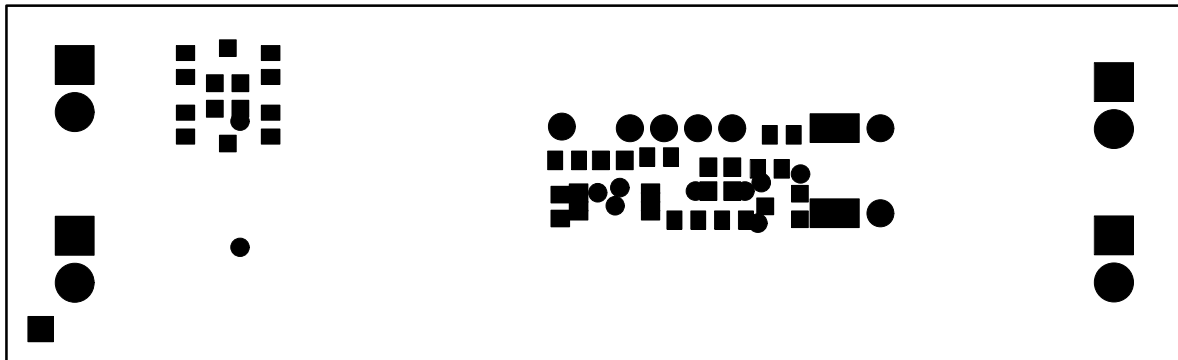


Figure 2–2. Board Layout (continued)

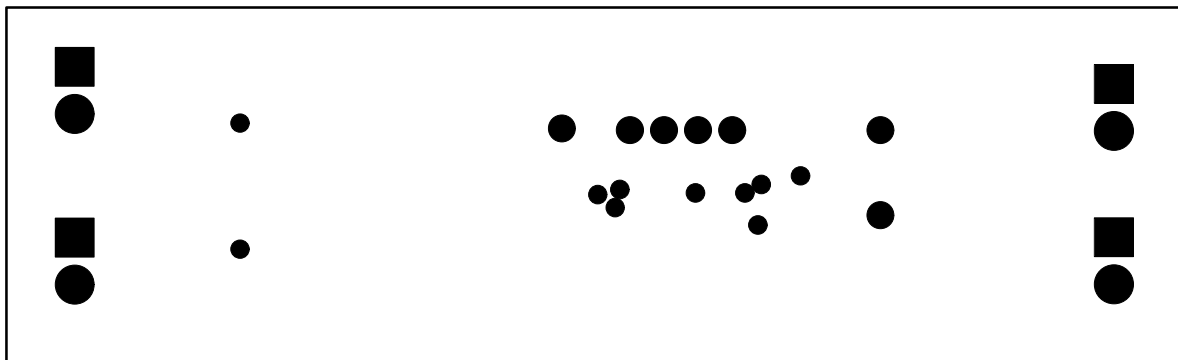
Layer 2



Mask 1



Mask 2



2.4 Bill of Materials

Table 2–1 lists the materials required for the bq2023EVM–001 circuit module (SLUP142–001).

Table 2–1. Bill of Materials

Ref Des	Qty-001	Description	MFG	MFG PART#	Size
PCB	1	Printed-circuit board, 0.031, FR4, SMOBC, HASL	Any	SLUP142	
Terminal	4	Terminal block 3,5 mm	On Shore Technology	ED555/2DS	3,5 mm × 2
C1, C2, C3, C4	4	Capacitor, ceramic, 0.1 μF, 16 V, ±10%, X7R	Panasonic	ECJ–1VB1C104K	603
R8	1	Resistor, 0.020 Ω, 1 W, 1%	IRC	LR2512–01–R020–G	2512
R2, R7, R9	3	Resistor, 100 kΩ, 1/16 W, 5%	Panasonic	ERJ–3GSYJ104	603
R3, R4, R5, R6, R10, R11	6	Resistor, 100 Ω, 1/16 W, 5%	Venkel	ERJ–3GSYJ101	603
R1	1	Resistor, 1 MΩ, 1/16 W, 5%	Panasonic	ERJ–3GSYJ105	603
D1, D2, D3	3	Diode, Zener, 5.6 V	Zetex	BZX84C5V6	SOT–23
U1	1	Integrated circuit, gas gauge, bq2023	Benchmark/TI	bq2023PW	TSSOP–8
Component count	24				

Assembly Notes:

- 1) This assembly is ESD sensitive.
- 2) This assembly shall comply with IPC–A–610 class 2 or better.
- 3) This assembly must be clean of flux residues and contaminants.
- 4) Use of no-clean flux is not acceptable.

2.5 Performance Specifications

Table 2–2 summarizes the performance specifications for bq2023–001 Circuit Module (SLUP142–001).

Table 2–2. Performance Specifications Summary

Specification	Min	Typ	Max	Units
Input voltage BAT+/BAT–	2.8		5.5	V
Charge and discharge current			3	A

Note: Charge and discharge maximums are limited by the PCB design and power dissipation of the 20-mΩ 0.5-W sense resistor in the kit.



EVM Hardware and Software Setup

This section describes how to install the bq2023EVM-001 PC software and how to connect the components of the EVM.

Topic	Page
3.1 Software Installation	3-2
3.2 Hardware Connection	3-2

3.1 Software Installation

The following steps install the bq2023EVM-001 software:

- 1) Insert disk 1 into a 3 1/2 inch floppy drive.
- 2) Select the 3 1/2 inch drive using My Computer.
- 3) Double-click the setup.exe icon.

The setup program prompts for the remaining disks and installs a Windows application group.

3.2 Hardware Connection

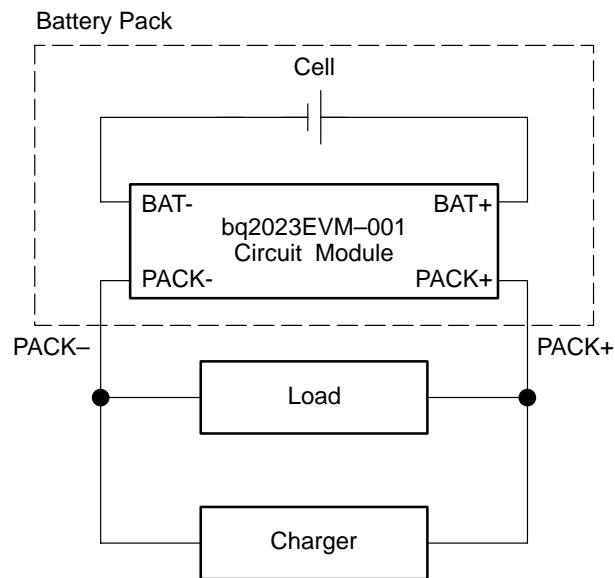
There are three hardware components to the bq2023EVM-001:

- 1) bq2023EVM-001 circuit module
- 2) EV2201 PC interface board
- 3) PC

3.2.1 Connecting the Circuit Module to a Battery Pack

Figure 3-1 shows how to connect the bq2023EVM-001 circuit module to a stack of cells, the sense resistor, and the system load/charger.

Figure 3-1. Connection to Cells and System Load/Charger



3.2.2 PC Interface Connection

The following steps configure the hardware for interface to the PC:

- 1) Connect the bq2023-based smart battery to the EV2201, using wire leads as in Table 3–1.
- 2) Connect the PC serial cable to the EV2201 and the PC COM port.

Table 3–1. Connection EV2201

bq2023-Based Battery	EV2201
SDQ	SMBD/HDQ1
PACK–	VSS

The bq2023EVM–001 is now set up for operation.



Operation

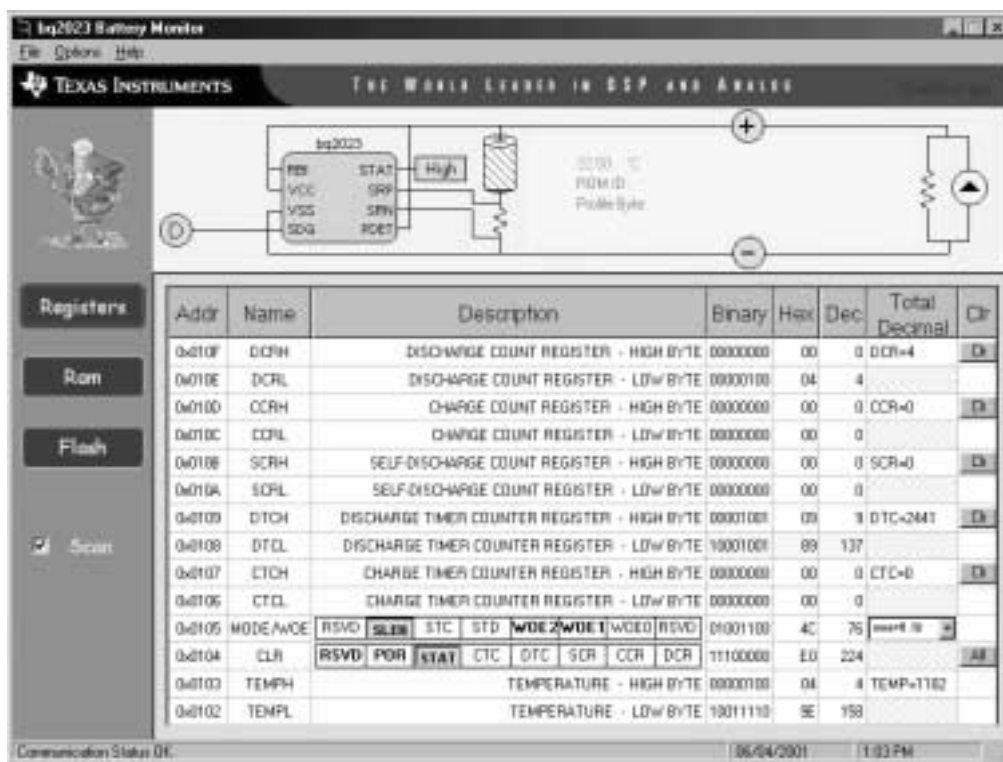
This chapter details the operation of the or bq2023EVM-001 software.

Topic	Page
4.1 Starting the Program	4-2
4.2 Initialization	4-3
4.3 Reading and Writing Flash Memory	4-3
4.4 RAM Addressing	4-5
4.5 Data Logging	4-6

4.1 Starting the Program

Run EV2201-23 from the Start|Programs|Texas Instruments|bq2023 Battery Monitor menu sequence. The software defaults to PC com port 1 for communication. If the EV2201 is connected to com port 1, the program loads and displays the initial data screen.

Figure 4-1. Initial Data Screen

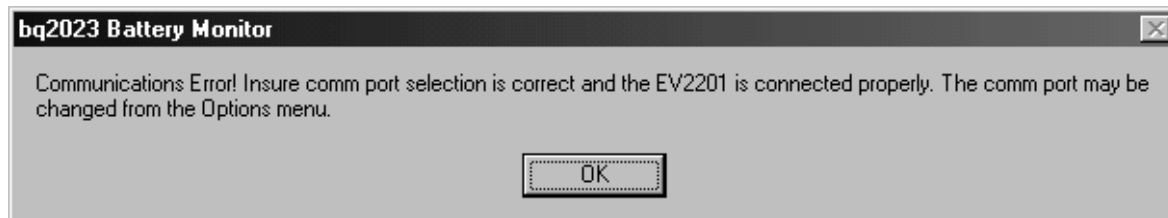


The data screen may not show correct information until parameters in the software are initialized.

If the EV2201 is connected to PC com port 2 or no port, the program displays a warning.

Once OK is clicked, the program loads the initial register screen. The com port can be changed by selecting the port under the Options menu.

Figure 4-2. Communications (Comm) Port Selection Warning Screen



4.2 Initialization

This section describes the settings that must be made before the bq2023 is evaluated.

4.2.1 Setting the Programmable bq2023 Wake-Up Threshold Option

Select the wake-up threshold with the WOE pulldown tab at location 0x0105. This designates the potential across the sense resistor below which the bq2023 goes to sleep, provided that the sleep enable (SLEN) bit is set. To set the SLEN bit check the sleep enable (SLEN) box.

4.2.2 Register Clearing

Each counter in the bq2023 can be cleared (set to 00) by depressing the adjacent Clr button. The All button clears all counting registers in one sequence.

4.3 Reading and Writing Flash Memory

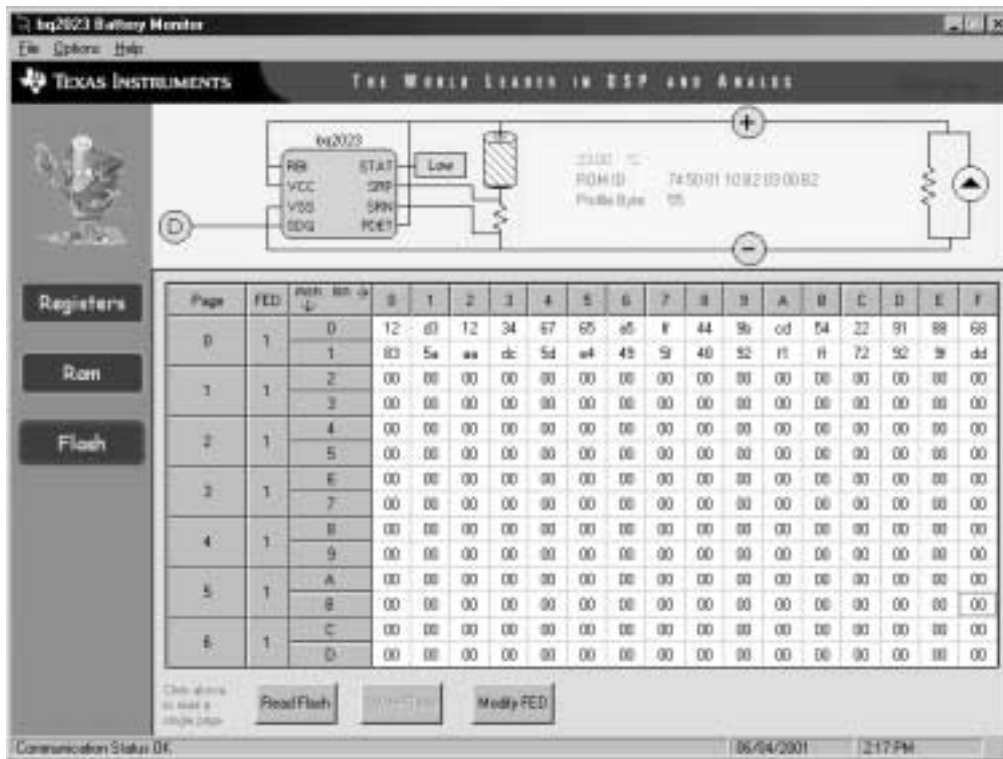
The flash memory on the bq2023 can store battery-pack-specific parameters used by the host system in its capacity monitoring algorithm.

To read the flash memory, click on the Flash button to select the flash data screen. Click the Read Flash button to read all six flash pages or click the individual page number to read the pages individually.

Each flash location can be modified by clicking on the individual location and entering the new value in hex.

The flash values can be stored to disk as one data file. To do this, select File|Save Flash File and enter the file name in the Store Flash File window. The file can subsequently be opened using the the File|Open Flash File command from the pulldown menu. Once the flash file is loaded into the program, the Write Flash button can be used to store the data in the bq2023.

Figure 4–3. Flash Register Screen



4.3.1 The FED Register

The FED register can be used to *permanently* disable erase and write access to each page of flash. Click the Modify FED button to access this register.

4.4 RAM Addressing

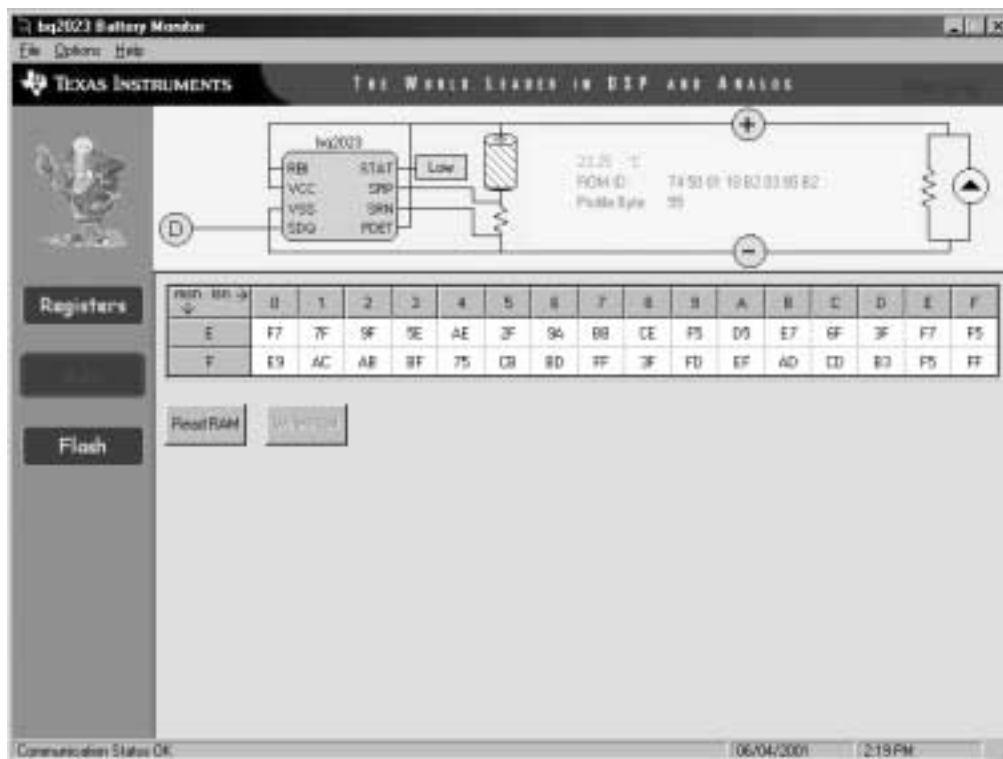
The RAM page of memory is viewed by selecting the RAM data screen.

Click the Read RAM button to read the RAM locations.

Each RAM location can be modified by clicking on the individual location and entering the new value in hex.

The RAM values can be stored to disk as one data file. To do this, select File|Save RAM File and enter the file name in the Store Ram File window. The file can subsequently be opened using the the File|Open Ram File command from the pulldown menu. Once the RAM file is loaded into the program, the Write RAM button can be used to store the data in the bq2023.

Figure 4–4. RAM Register Screen



4.5 Data Logging

- 1) Select Options|Logging Options to select the registers to log and set the logging interval.
- 2) File|Start Data Log from the pulldown menu.
- 3) Enter the name of the data log file in the Name Datalog File box.
- 4) Click the Open button.
- 5) To stop the data logging, select File|Close Data Log from the pulldown menu. The file can be imported into a text editor, spreadsheet, or word processor program.

Example data log:

```
EV2201-23 Version: 1.0.0
Texas Instruments bq2023 battery monitor
06/04/2001 2:40:35 PM
ROM ID: 74 50 01 10 B2 03 00 B
```

Sample	Stamp	Elapsed (s)	DCR	CCR	SCR	DTC	CTC	MODE/WOE	CLR	TEMP
1	2:40:45 PM	10	0	0	0	0	16	78	192	1186
2	2:40:55 PM	20	0	0	0	0	26	78	192	1186
3	2:41:05 PM	30	0	0	0	0	37	78	192	1187
4	2:41:15 PM	40	5	0	0	4	44	78	192	1187
5	2:41:25 PM	50	9	0	0	15	44	78	192	1187
6	2:41:35 PM	60	9	0	0	25	44	78	192	1188
7	2:41:45 PM	70	9	0	0	46	44	78	192	1188
8	2:41:55 PM	80	9	0	0	56	44	78	192	1196
9	2:42:05 PM	90	10	0	0	66	44	78	192	1194